



TMS-110

MOBILE AM TRANSCEIVER SYSTEM

Featuring the
TDAM-1000

- VHF AM TRANSCEIVER
- DESIGNED FOR GROUND VEHICLE INSTALLATION
- INDUSTRY CANADA AND FCC APPROVALS



TMS-110

Mobile Transceiver System

TECHNISONIC
Communications

The TMS-110 is the Essential Communications Solution for Ground-Based Vehicles.

Technisonic is proud to introduce the all-new TMS-110 VHF-AM vehicle mobile transceiver system designed specifically to support crucial airport ground communications. The featured TDAM-1000 radio offers modern key features that ensure the reliability and capabilities needed in such a critical communications environment. Features such as 25KHz/8.33KHz spacing, selectable agile frequency programming, scan, and built in loudspeaker with output for an external 10-watt speaker. Designed with the user in mind, you will find optimal backlighting of the keypad and display as well as multiple microphone and headset jacks to support all your operations.



Features

- Industry Canada and FCC approvals
- 10W output power (adjustable 1 to 10W)
- Wide DC input voltage (10 to 28V)
- Up to 100 programmable preset channels
- Direct frequency entry in 117.975 to 138.000 MHz band (can be disallowed)
- 16 character LED alphanumeric display (displays frequency and channel name)
- Backlit panel and keys
- Scanning on selected channels
- Possible to program receive only channels
- USB Port for loading and saving channel or configuration data
- Built-in loudspeaker (10W audio output for optional external loudspeaker)
- Multiple microphone input connections (front and rear)
- Multiple headset connections (front and rear)
- Voice recorder output (monitor audio) on rear connector
- Cross mute option to support the use of 2 radios in one vehicle
- 25kHz/8.33kHz channel separation
- Transmit DTMF keypad

Brighter & Lighter, the TDAM-1000 features backlit softkeys

TMS-110 System Components

<u>Component</u>	<u>Part No.</u>
TDAM-1000 Transceiver	151286-1
Microphone Assembly	181298-1
Mounting Bracket	169676
Mobile Antenna Assembly	181299-1
Power Cord	183043-1
Installation Kit	189729

Dimensions

Width	5.4 inches (137 mm)
Height	1.8 inches (46 mm)
Depth	7.7 inches (196 mm)
Weight	2.8 lbs (1.27 kg)

THE FUTURE IS BUILT IN.

New Customer Inquiries

905-890-2113

www.til.ca

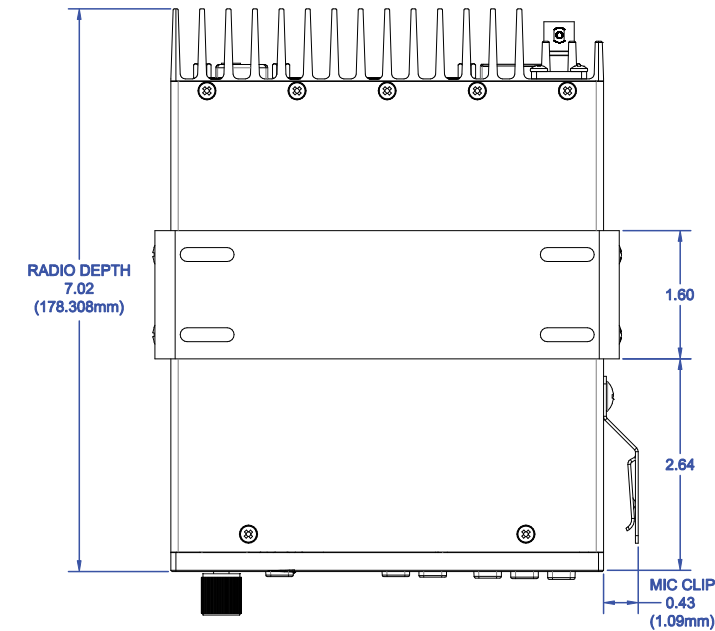
info@til.ca

Corporate Headquarters

240 Traders Blvd.

Mississauga, ON Canada L4Z 1W7

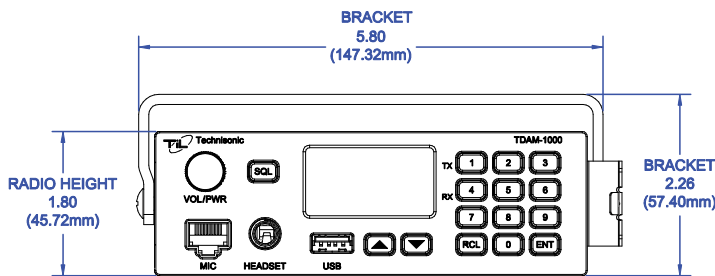
905-890-2113



MOUNT / BRACKET
TILT ANGLE
RANGE

-7.25°
+7.25°

MAX DIST
4.43
(112.52mm)
MIN DIST
2.49
(63.24mm)



General Specifications

Frequency Band	117.975 – 138.000 MHz
Modulation	AM (A3E)
Channel Spacing	25 kHz and 8.33 kHz
Frequency Stability	+/- 1 ppm (0.0001%)
Operating Temperature	-20 to +55 °C
Storage Temperature	-40 to +70 °C
Power Consumption	
Transmit High Power	< 70 Watts
Receive	< 15 Watts
Standby	< 10 Watts

Receiver Specifications

Sensitivity	< 1.5µV for 12dB SINAD
Selectivity	
25 kHz Channel Spacing	> 65 dB @ ±25 kHz, < 6 dB @ ±8.5 kHz
8.33 kHz Channel Spacing	> 60 dB @ ±8.33 kHz, < 6 dB @ ±2.5 kHz
Adjacent Channel Rejection	> 60 dB
Spurious Attenuation	> 70 dB
Blocking for 1 MHz Frequency Offset	> 80 dB
Signal to Noise Ratio	< 45 dB
Frequency Stability	1 ppm (0.0001%)
Intermodulation Immunity	> 65 dB
Image Frequency Rejection	> 100 dB
Intermediate Frequency Rejection	> 95 dB
Conducted Spurious	< -70 dB
Cross Modulation Rejection	> 70 dB @ 100kHz Frequency Offset
Squelch	Adjustable 0 to 25 µV
Scanning	20 Channels per Second
Audio Response	
25 kHz Channel Spacing	300 to 3400 Hz, +1 dB, -2dB
8.33 kHz Channel Spacing	350 to 2500 Hz, +1 dB, -2 dB
Audio Distortion	< 5% THD
Audio Output Power	> 10 Watts

Transmitter Specifications

RF Output Power	Selectable 1 or 10 Watts
Modulation Depth	Up to 95%
VSWR	1:Infinity
Hum and Noise	> 40 dB @ 90% Modulation
Distortion	< 5% @ 90% Modulation
Frequency Stability	±1 ppm (0.0001%)
Intermodulation Attenuation	40 dB @ 150 kHz Offset
Keying Time	< 20 ms
Release Time	< 10 ms
Speech Processor	35 dB Dynamic Range

